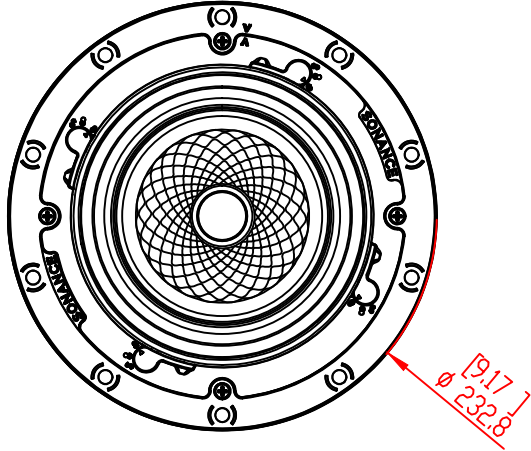
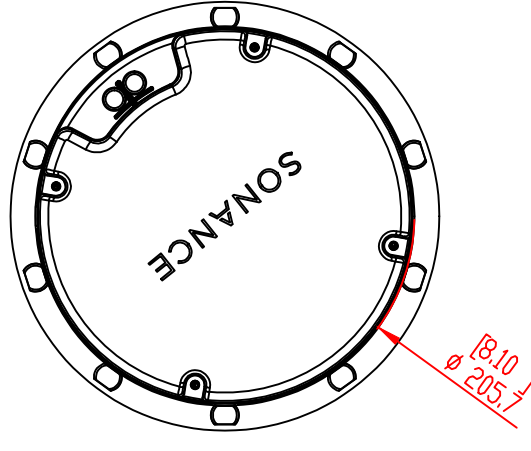


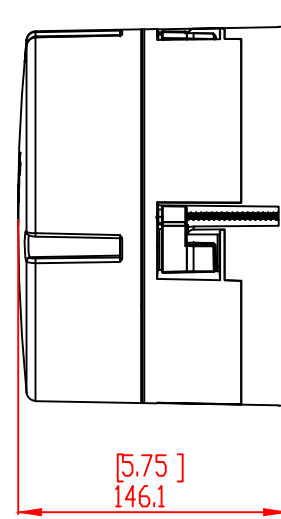
FRONT



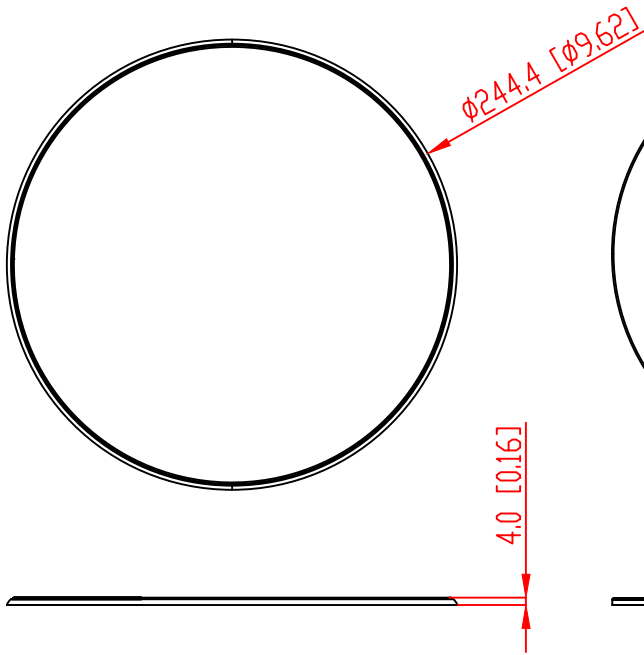
BACK / MINIMUM CUTOUT



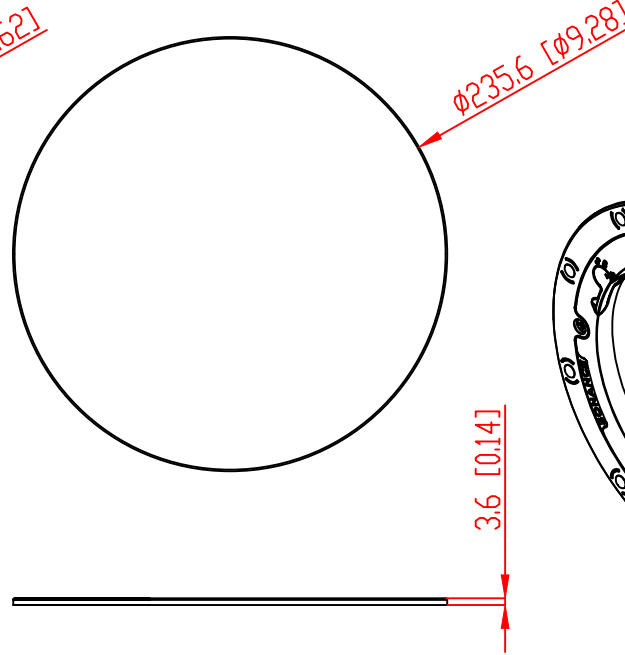
MOUNTING DEPTH



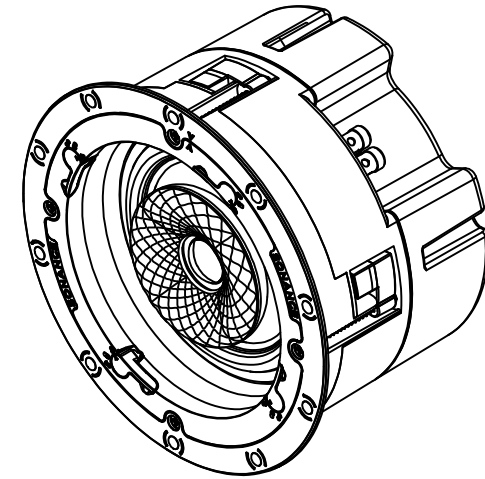
MICRO TRIM GRILLE



TRIMLESS GRILLE



ISOMETRIC



991 Calle Amanecer
 San Clemente, California 92673 USA
 949-492-7777
 www.sonance.com

SONANCE

VX62R WITH RETROFIT ENCLOSURE SPEAKER

SCALE: 1:1

DRAWN BY: Roy

DRWN - PART NUMBER

REV.

SHEET: 0F

RELEASED DIM